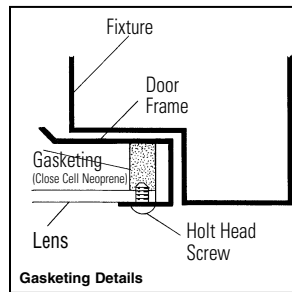
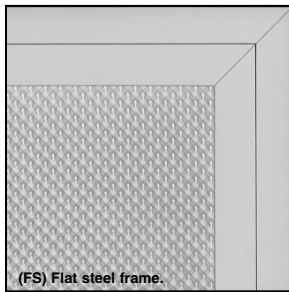


Features

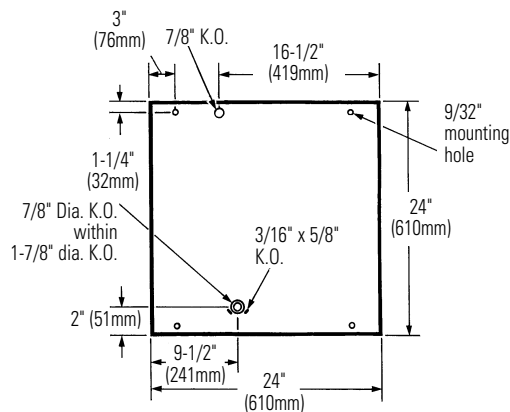
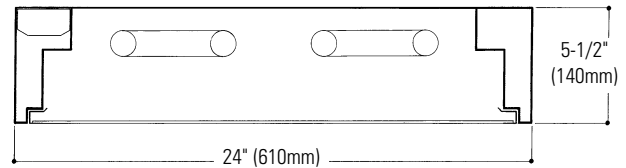
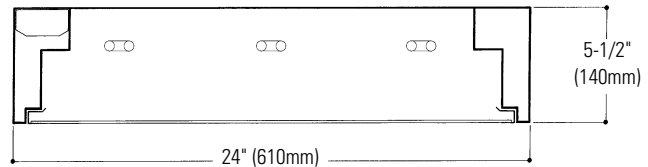
- Excellent for locations where vandal resistance is required.
- 20 gauge steel body.
- Prismatic lens is 3/16" thick, pattern 12, minimum impact strength, 130 foot pounds.
- Full perimeter gasketing (closed cell Neoprene) between door frame and lens.
- Tamper resistant holt head screws secure lens to housing.
- 45° mitered corners (body and door frame).
- Only 5-1/2" deep.
- 55.5% efficient (2U lamp T8).
- Side mounted ballast for cooler operation.
- Fully enclosed wiring.
- Meets NYC Code requirements.



FEATURES



DIMENSIONS



Job Information

Type:

Job Name:

Cat. No.:

Lamp(s):

Volts/Ballast:

Lightolier a Genlyte Thomas Company

www.lightolier.com

Technical Information: (978) 657-7600 • Fax (978) 658-0595

631 Airport Road, Fall River, MA 02720 • (508) 679-8131 • Fax (508) 674-4710

We reserve the right to change details of design, materials and finish.

© 2002 Genlyte Thomas Group LLC (Lightolier Division)

A0902

Section 6A/Folio P40-12

LIGHTOLIER



GUARDSMAN GVB SERIES 2X2

PHOTOMETRY

GI TESTING LABORATORY
45 Industrial Way
Wilmington, MA 01887
(978) 657-7600

REPORT NO.: G02044 DATE: 05-14-02
CATALOG NO.: GVB2SFSVL26U120SO
LAMP(S): 2 T8 U8, EACH RATED 2750 LUMENS.
LUMINAIRE: NEW VERSION OF MODULAR WITH ACRITUFF LENS
TRIAD B2321120
0.53 AMPS 60.7 WATTS

CANDELA DISTRIBUTION FLUX

0	0	22.5	45.0	67.5	90.0	
0	1331	1331	1331	1331	1331	
5	1323	1323	1324	1328	1329	126
15	1255	1263	1280	1298	1306	362
25	1131	1149	1185	1218	1233	546
35	943	970	1037	1097	1123	645
45	684	699	735	814	863	582
55	411	400	409	474	512	392
65	196	204	203	224	230	217
75	132	132	126	128	119	133
85	52	52	42	44	45	49
90	0	0	0	0	0	0

ZONAL LUMEN SUMMARY

ZONE	LUMENS	%LAMP	%FIXT
0-30	1033	18.8	33.9
0-40	1679	30.5	55.0
0-60	2653	48.2	86.9
0-90	3052	55.5	100.0
90-180	0	0.0	0.0
0-180	3052	55.5	100.0

TOTAL LUMINAIRE EFFICIENCY = 55.5 %
TOTAL REFLECTANCE OF PAINT = 90.0 %

CIE TYPE: DIRECT

PLANE: 0-DEG 90-DEG
SPACING CRITERIA: 1.2 1.3
PLANE: 0-DEG 90-DEG
LUMINOUS LENGTH: 21.960 21.960

LUMINANCE DATA IN CANDELA/SQ M

ANGLE IN DEG	AVERAGE	AVERAGE	AVERAGE
45	3108.	3340.	3921.
55	2302.	2291.	2868.
65	1490.	1543.	1301.
75	1639.	1564.	1477.
85	1917.	1548.	1659.

THIS REPORT IS BASED ON PUBLISHED INDUSTRY PROCEDURES • FIELD PERFORMANCE MAY DIFFER FROM LABORATORY PERFORMANCE

MODEL NO. GVB2SFSVL26U120SO

coefficients of utilization — zonal cavity method

RF	20			20			20			
RC	80			50			30			
RW	70	50	30	50	30	10	50	30	10	
room cavity ratio	1	61	59	57	55	54	52	53	52	50
2	56	52	49	49	46	44	47	45	43	
3	52	46	42	44	41	38	42	40	37	
4	48	42	37	40	36	33	38	35	33	
5	44	38	33	36	32	29	35	31	29	
6	41	34	29	33	29	26	32	28	26	
7	38	31	27	30	26	23	29	26	23	
8	36	29	24	27	24	21	27	23	21	
9	33	26	22	25	22	19	25	21	19	
10	31	24	20	23	20	17	23	20	17	

visual comfort probability

room size		ceiling height				ceiling height			
W	L	8.5	10.0	13.0	16.0	8.5	10.0	13.0	16.0
20	20	70	75	81	85	69	72	77	82
20	30	62	68	74	78	63	66	70	74
20	40	58	62	69	73	59	62	66	69
20	60	54	58	63	68	56	59	62	65
30	20	71	76	80	84	70	73	78	82
30	30	62	67	73	77	63	66	70	73
30	40	57	61	67	71	58	61	65	68
30	60	53	57	60	65	55	58	60	63
30	80	51	54	56	61	54	56	57	60
40	20	72	76	81	84	71	75	79	82
40	30	63	68	73	76	64	67	71	74
40	40	58	61	66	70	59	62	65	68
40	60	53	56	60	64	55	58	60	63
40	80	51	54	55	60	54	56	57	60
40	100	51	52	53	57	54	55	55	57
60	30	64	69	73	77	64	68	71	74
60	40	59	62	66	70	60	62	65	68
60	60	54	56	59	63	56	58	59	63
60	80	51	53	54	58	54	55	56	59
60	100	51	52	52	55	53	54	54	56
100	40	62	64	67	71	62	64	67	70
100	60	57	59	60	64	58	60	60	64
100	80	54	55	55	59	56	57	57	60
100	100	53	53	53	56	55	55	55	56

ORDERING INFORMATION Explanation of Catalog Number. Example: GVB2SFSVL26U120SOGLR

GV GUARDSMAN VANDAL RESISTANT :	B BODY STYLE: Surface Box	2 FIXTURE WIDTH	S CEILING TYPE: S=Surface	FS LENS FRAME: FS= Flat Full Size Steel Frame	VL LENS/ SHIELDING TYPE: VL=High Impact Prismatic Lens (Standard)	LAMP QUANTITY: (By Others) 2=2 Lamp 3=3 Lamp (TT5 Lamp Only)	LAMP/ FIXTURE LENGTH: 6U = 6'U Lamp 2U = 1-5/8'U Lamp T8 FT = Twin Tube T5	VOLTAGE: 120 or 277	BALLAST TYPE: <20THD SO* HI* SB* IB* X3* I3*	OPTIONS: Add appropriate suffix to catalog no., ie: (GLR)
-------------------------------------------------	----------------------------------------	------------------------------	-------------------------------------------	------------------------------------------------------------------	-----------------------------------------------------------------------------------------------	-------------------------------------------------------------------------------------------	----------------------------------------------------------------------------------------------------	-------------------------------	-----------------------------------------------------------------	------------------------------------------------------------------------

*Instant Start Standard

Other dimming options. Consult factory.

OPTIONS & ACCESSORIES

FUSING: Internal fast-blow fusing. SUFFIX: **GLR**.

Internal slow-blow fusing. SUFFIX: **GMF**.

RADIO INTERFERENCE FILTER: 120 or 277 volt, 50 or 60 Hz. One per fixture standard. SUFFIX: **RF**.

ELECTRICAL/WIRING OPTIONS: Consult factory.

SPECIFICATIONS

MATERIALS: Chassis parts are die-formed 20 gauge cold rolled steel, stud welded for rigidity. **Lens Frame (FS)** flush full-size steel frame.

FINISH: Chassis exterior—white baked acrylic enamel. **Cavity**—white baked acrylic enamel minimum reflectance 86%. Phosphate undercoating.

LENS: (VL) prismatic lens is 3/16" thick, pattern 12, minimum impact strength, 130 foot pounds.

ELECTRICAL: Thermally protected class "P" ballast C.B.M. approved, non PCB. If K.O. is within 3" of ballast, use wire suitable for at least 90°.

LABELS: I.B.E.W./UL and C-UL.

Job Information

Type:

Lightolier a Genlyte Thomas Company www.lightolier.com
 Technical Information: (978) 657-7600 • Fax (978) 658-0595
 631 Airport Road, Fall River, MA 02720 • (508) 679-8131 • Fax (508) 674-4710
 We reserve the right to change details of design, materials and finish.
 © 2002 Genlyte Thomas Group LLC (Lightolier Division)
 A0902 **Section 6A/Folio P40-12**

LIGHTOLIER®